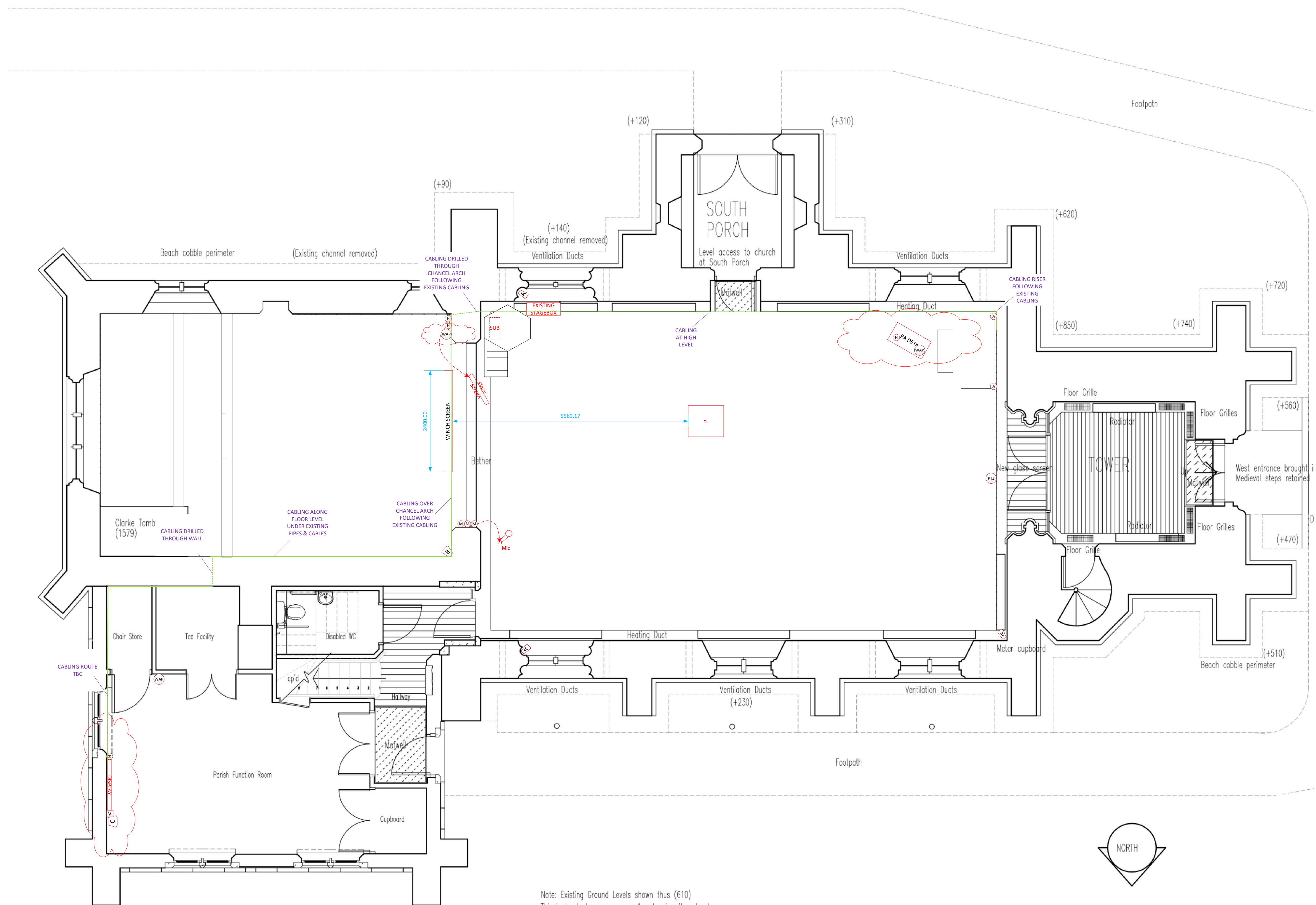


**KEY**

-  YAMAHA VXL COLUMN SPEAKER
-  EXISTING COLUMN SPEAKER
-  ELECTROVOICE SURFACE SPEAKER
-  YAMAHA MATCHED SUB UNDER PULPIT
-  LOCAL VOLUME CONTROL
-  MICROPHONE INPUT
-  LASER PROJECTOR
-  2.4m MOTORISED WINCH SCREEN
-  HDMI INPUT/ OUTPUT
-  PORTABLE COMFORT MONITOR
-  WALL MOUNTED DISPLAY
-  PAN/ TILT/ ZOOM CAMERA FOR STREAMING
-  WIRELESS ACCESS POINT
-  REMOTE AERIALS



Note: Existing Ground Levels shown thus (610)  
 This is level above new nave & extension floor level  
 New ground level to be as wall foundation offset level



Welcome  
We're Glad You're Here

View behind arch showing screen winch system starting to lower, prior to screen material rolling out

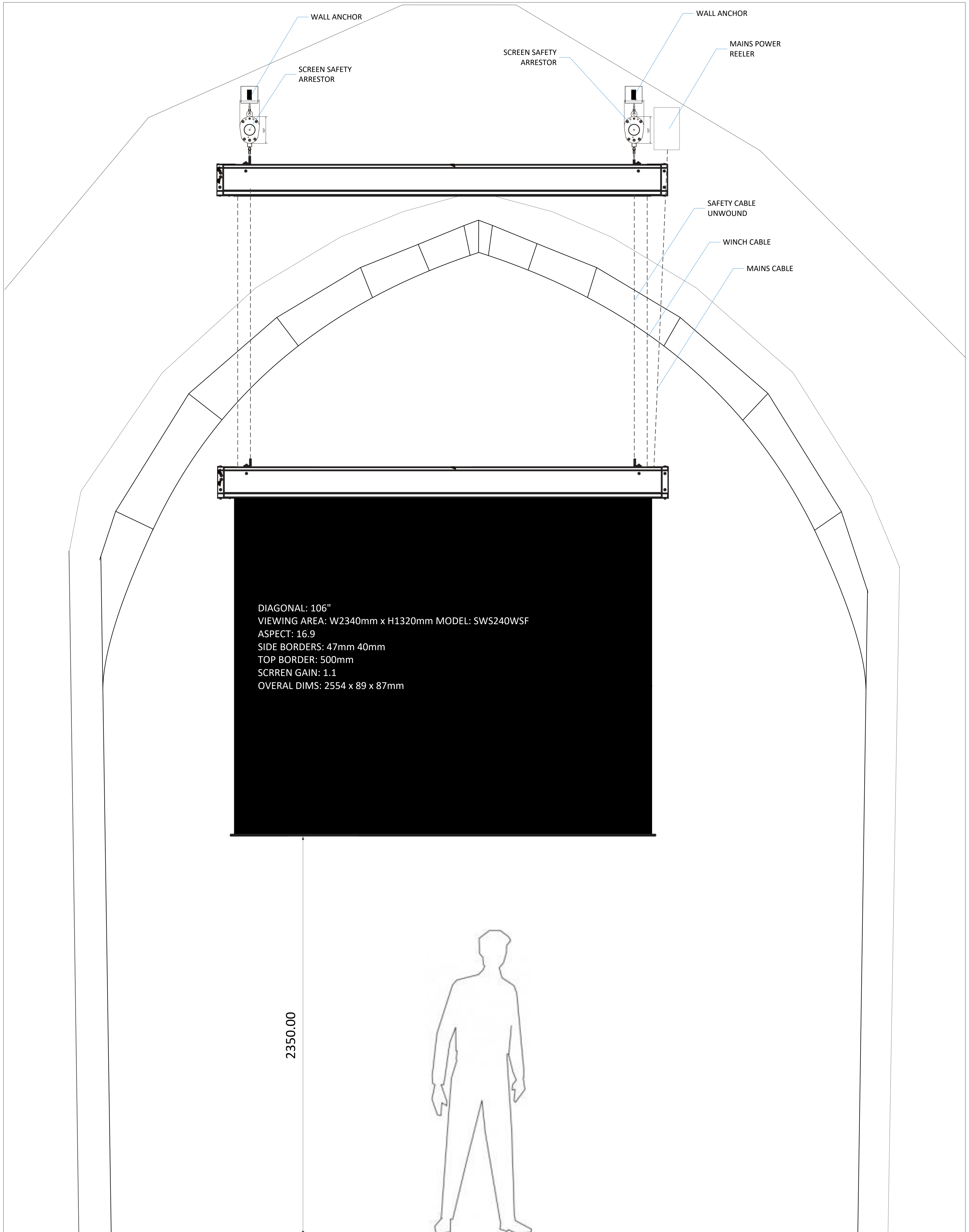


View in front of arch showing screen winch system starting to lower and screen material beginning to roll out

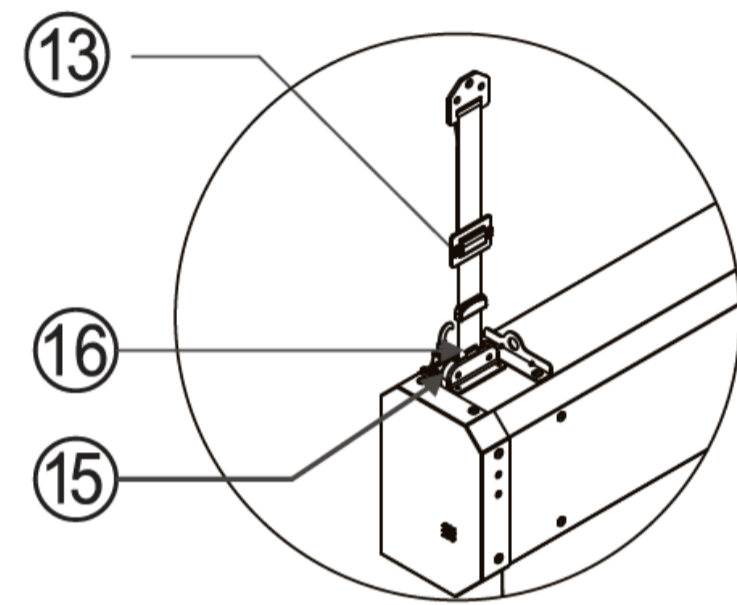
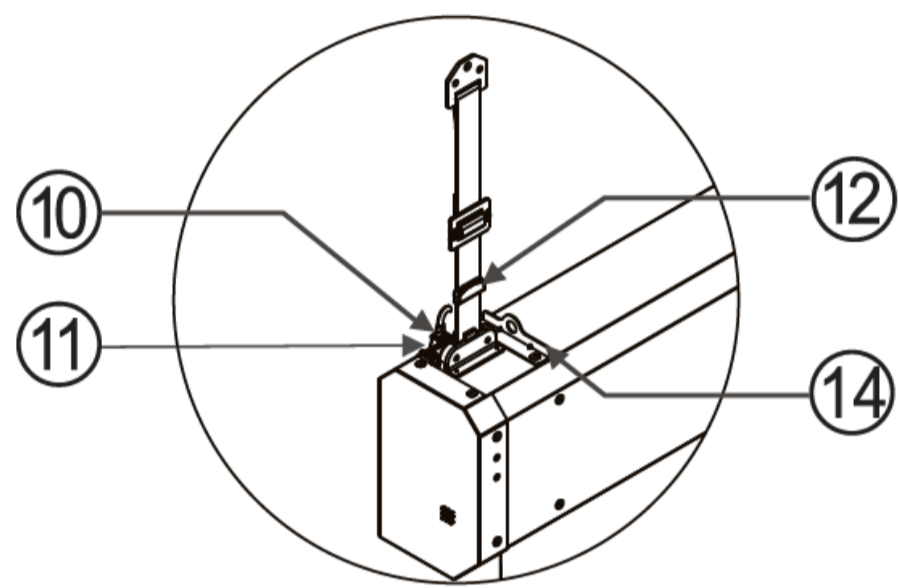




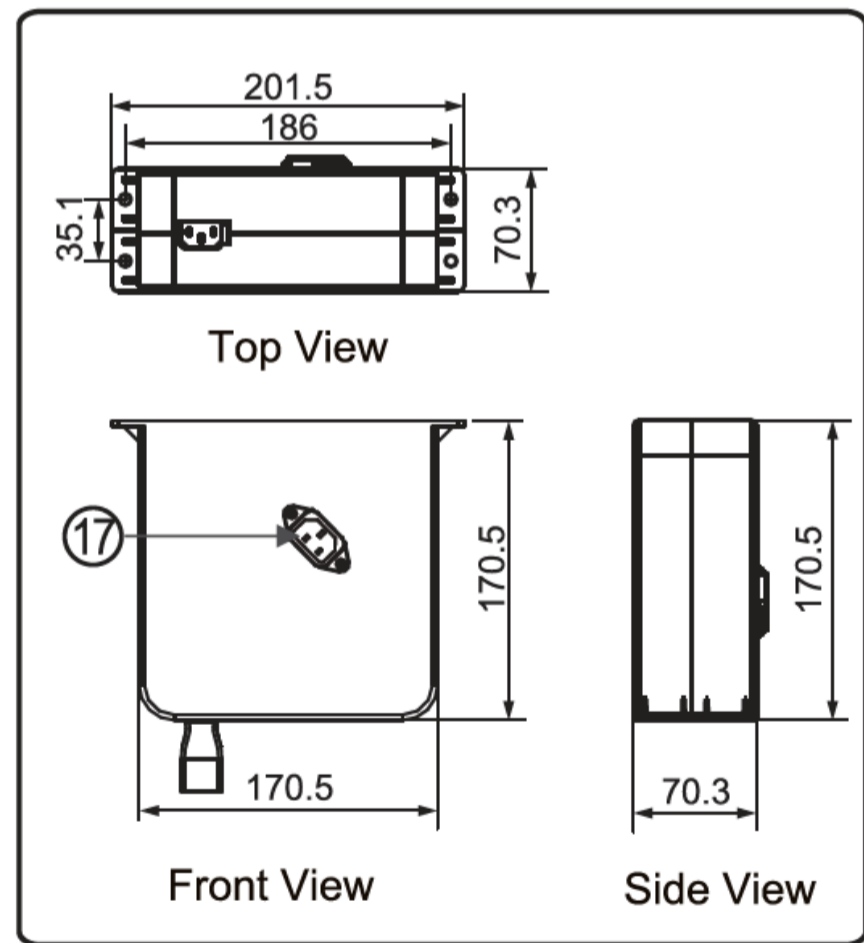
SCALE 1:10



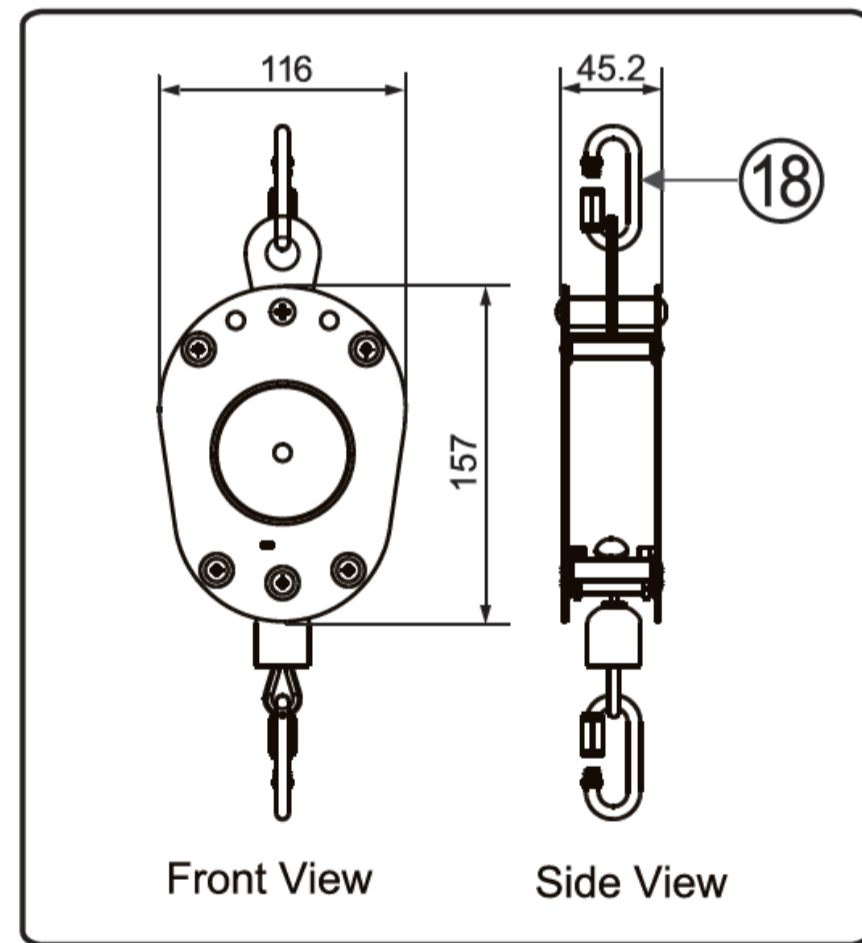
SCALE 1:10



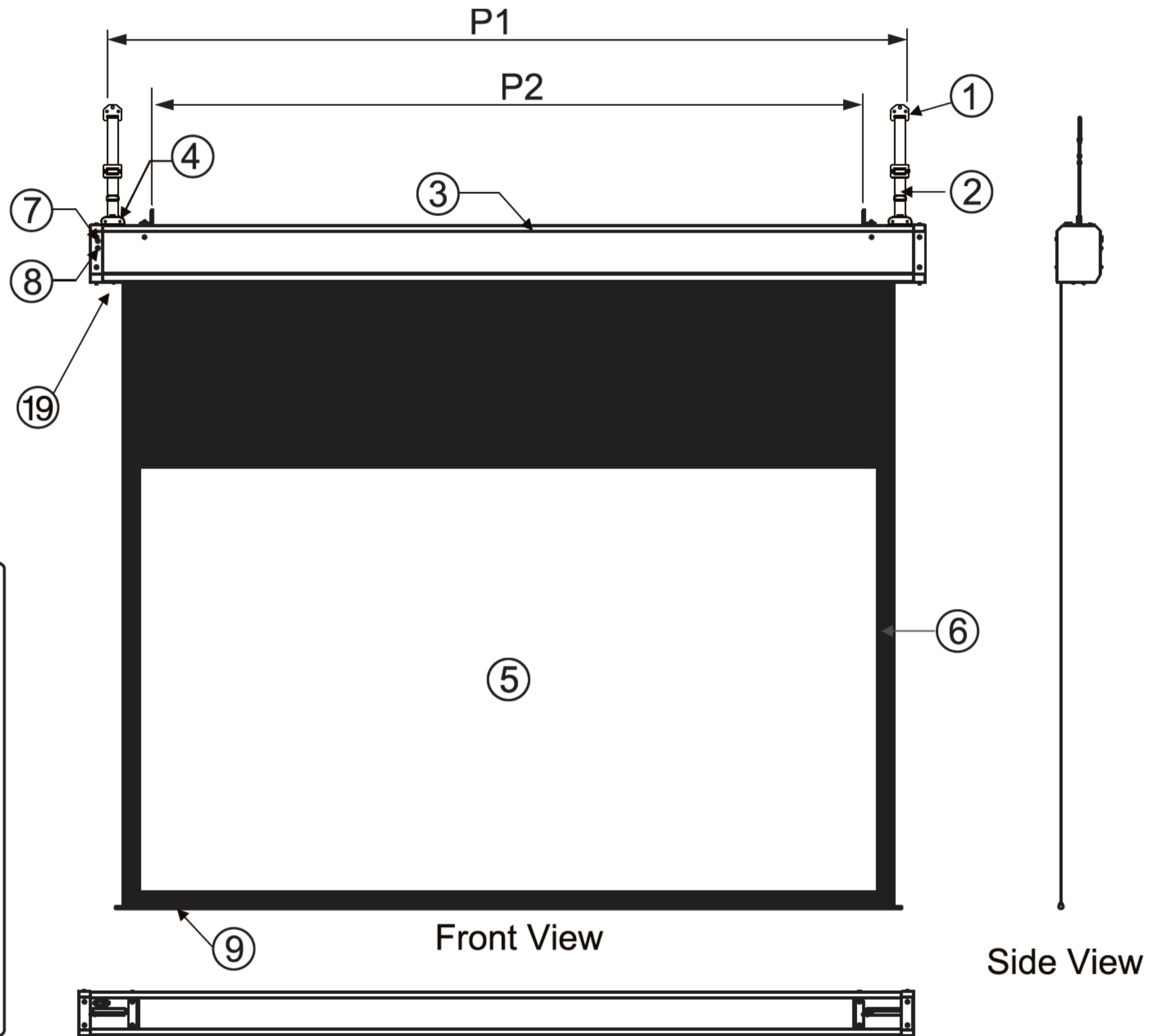
Skyshow Series Model A II



Cable Box

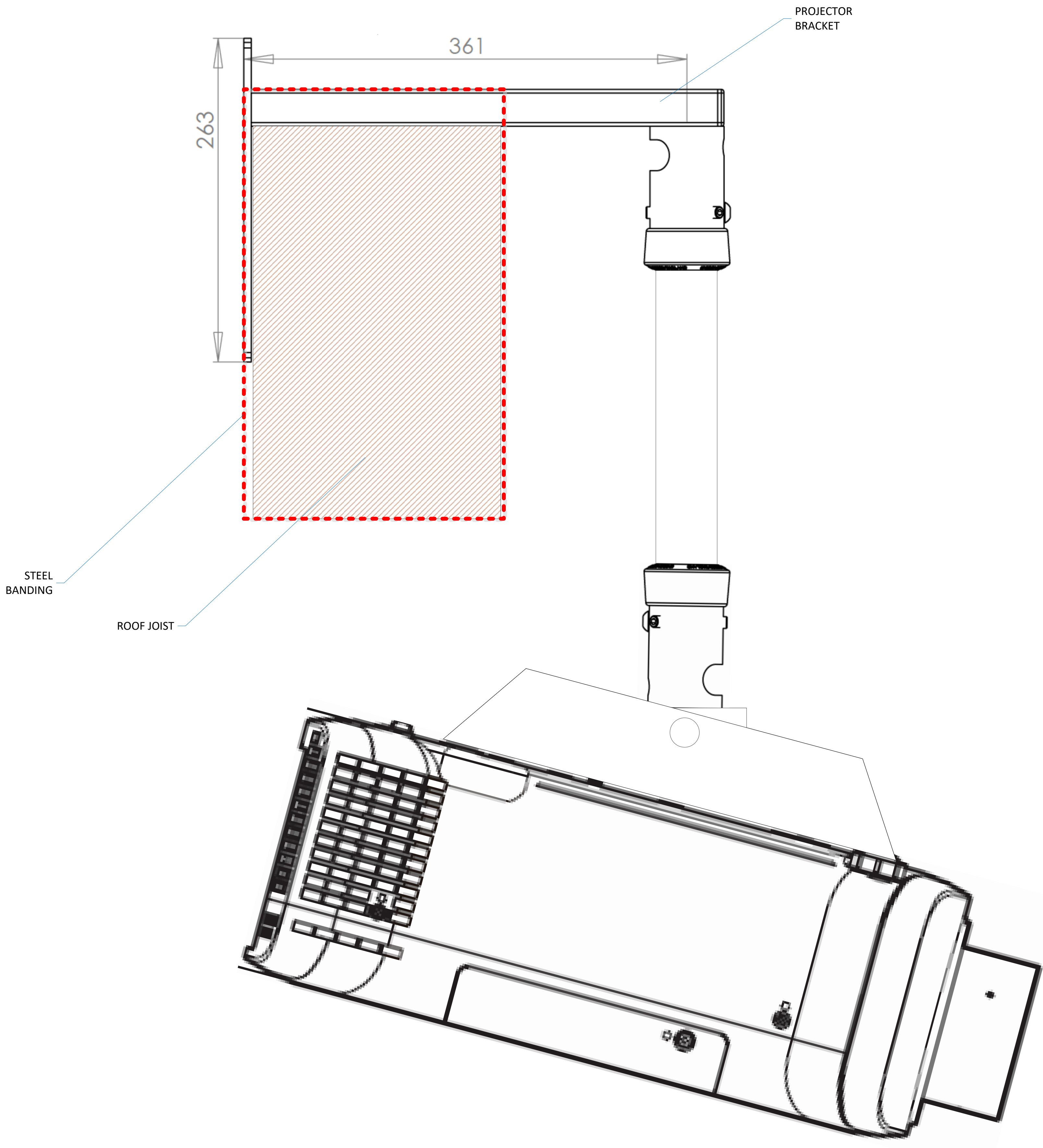


Brake Mechanism

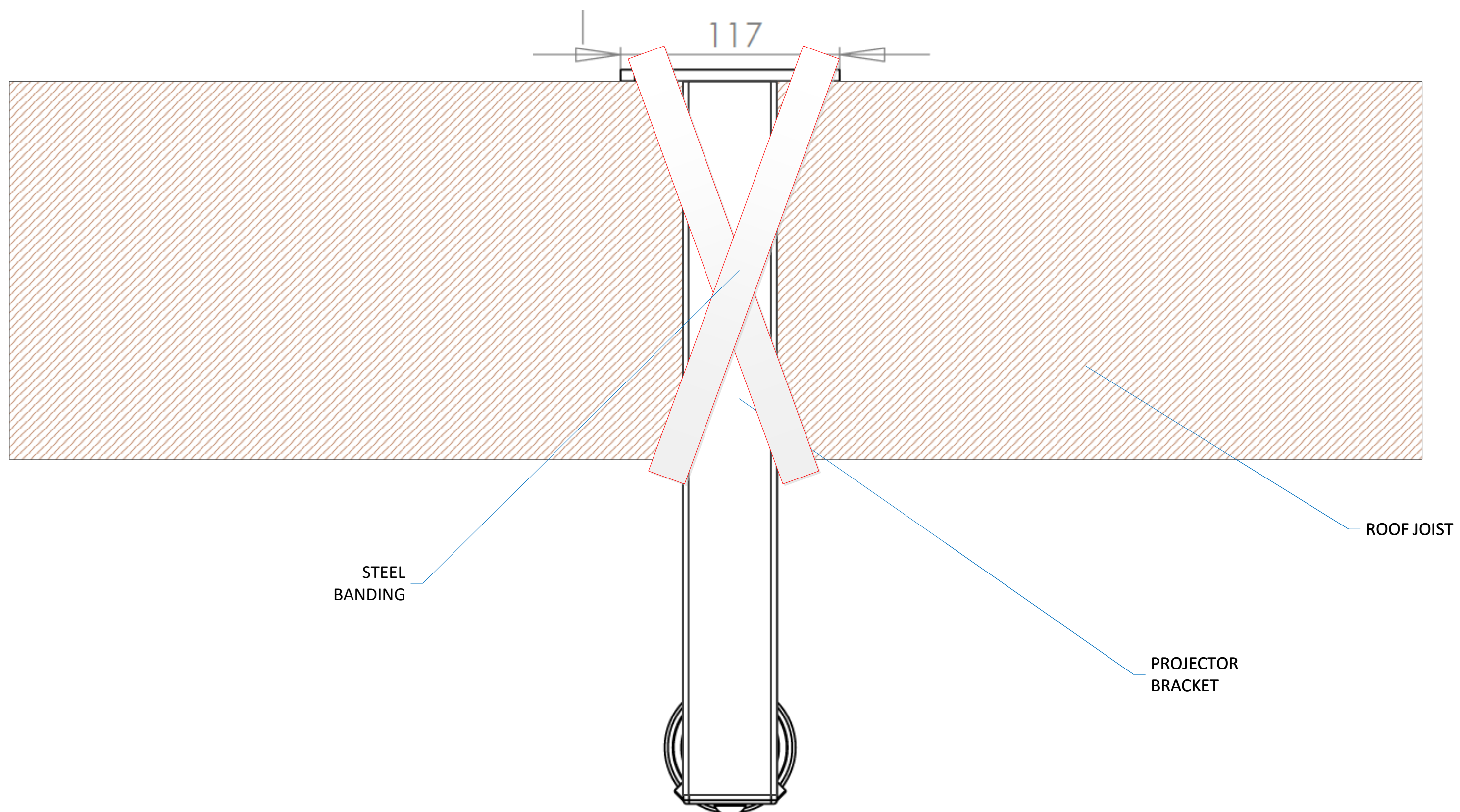


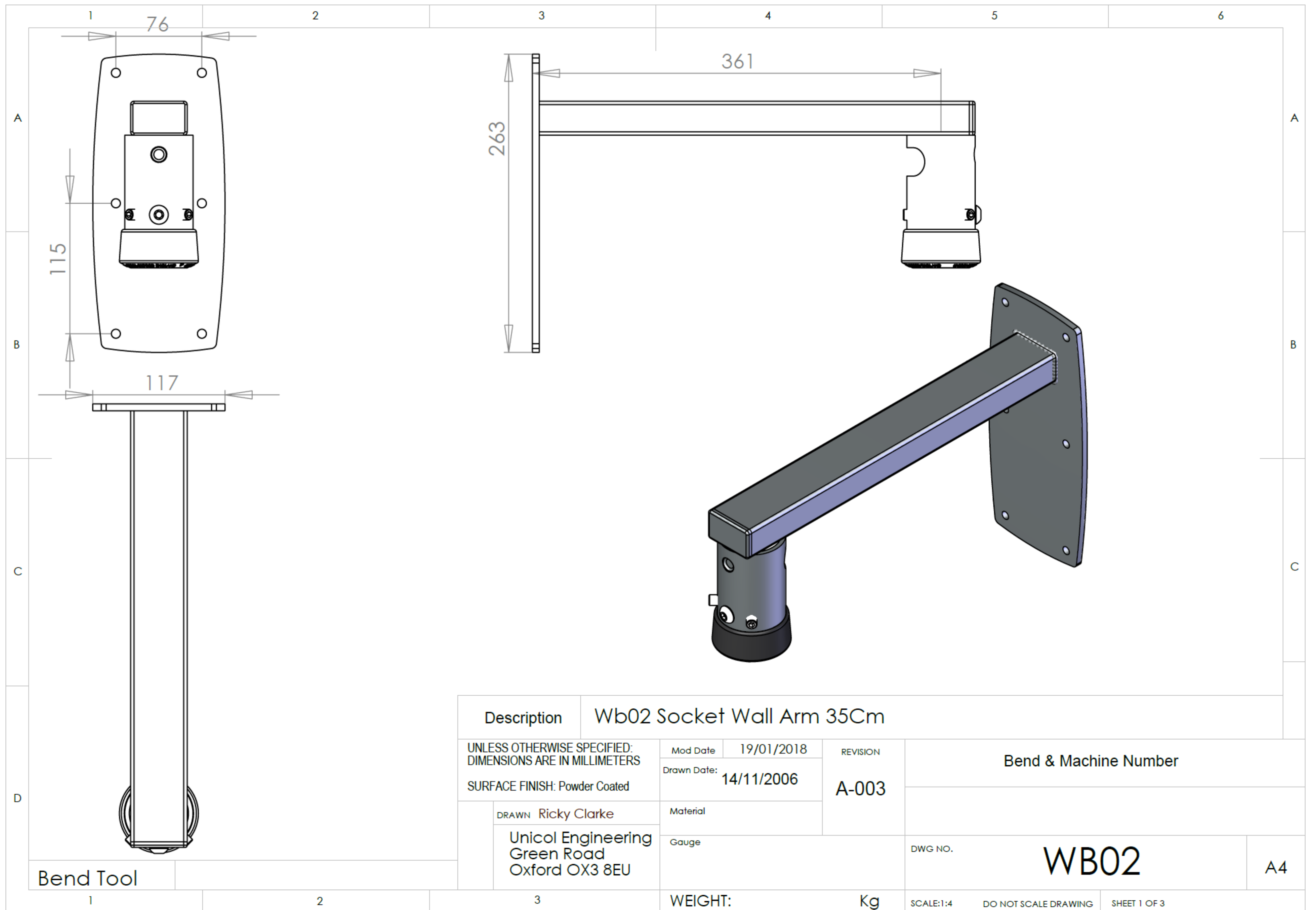
Top View

ELEVATION



PLAN





**PSU | Direct Fixing Projector Suspension Unit** (Example)  
 Dedicated to your choice of projector // Connects with any length of UNICOL column



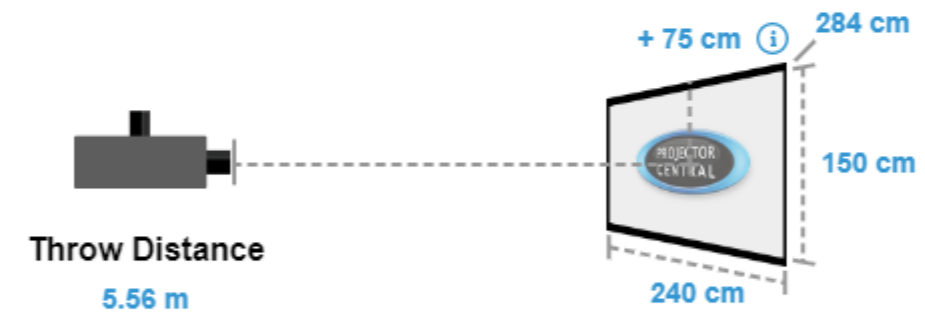
**Lens** Standard Lens  
Throw Ratio: 1.46 – 2.94, f/2.0 – 3.4

**Aspect Ratio** 16:9

**Units**

**Throw Distance** 5.56 m

**Image Size** 240 cm Width



**Zoom Range**  
Telephoto 1x 1.27x Wide Angle 2.01x

Ceiling Mount

**Estimated Image Brightness**

**Screen Gain** 1

329 nits Recommended image brightness for rooms with high ambient light

**Lens Shift**

At this throw distance, with a centered image, the projected image can be shifted an additional **94 cm** down from the bottom, **66 cm** up from the top, **81 cm** over from the right, and **64 cm** over from the left edge of the image using the projector's lens shift capability.

**General Specifications**

Model	VXL1(B/W)-24	VXL1(B/W)-16	VXL1(B/W)-8	
Speaker type		Full-range, Bass reflex		
Component	1.5" (3.75 cm) Cone x 24	1.5" (3.75 cm) Cone x 16	1.5" (3.75 cm) Cone x 8	
Coverage (-6 dB)	Horizontal: 170° Vertical: NORMAL: 15° (+7.5° - -7.5°), WIDE: 20° (+7.5° - -12.5°)	Horizontal: 170° Vertical: NORMAL: 25° (+12.5° - -12.5°), WIDE: 30° (+12.5° - -17.5°)	Horizontal: 170° Vertical: 40° (+20° - -20°)	
Effective coverage (-10 dB)	Horizontal: 180° Vertical: NORMAL: 25° (+12.5° - -12.5°), WIDE: 35° (+12.5° - -22.5°)	Horizontal: 180° Vertical: NORMAL: 30° (+15° - -15°), WIDE: 45° (+15° - -30°)	Horizontal: 180° Vertical: 65° (+32.5° - -32.5°)	
Nominal impedance	8Ω	12Ω	16Ω	
Power rating	NOISE	110 W	80 W	
	PGM	220 W	160 W	
	MAX	440 W	320 W	
Sensitivity (1 m/1 W)*1, *2	91 dB SPL (91 dB SPL: with port cover)	91 dB SPL (90 dB SPL: with port cover)	89 dB SPL (88 dB SPL: with port cover)	
Maximum SPL*3	117 dB SPL (1 m)	116 dB SPL (1 m)	111 dB SPL (1 m)	
Frequency range (-10 dB)*1		77 Hz - 20 kHz	81 Hz - 20 kHz	
	(With port cover)	98 Hz - 20 kHz	108 Hz - 20 kHz	110 Hz - 20 kHz
Connector	Euroblock (2 pin) x 2 (input: +/-) Max. wire size AWG12 (3.5 sq)			
Vertical coverage selector	NORMAL/WIDE		-	
Overload protection	Full-range power limiting to protect network and transducers			
Magnetically shielded	No			
Dust and water resistant	IP34 (with port cover: IP35)		IP33 (with port cover: IP35)	
Enclosure	Cabinet material	VXL1B-24/16/8: Aluminum extrusion cabinet, black VXL1W-24/16/8: Aluminum extrusion cabinet, white		
	Top/Bottom board material	ABS(UL94-5VB)		
Metal grille	Perforated aluminum (t=1.0 mm) Aperture ratio: 55%			
Finish	VXL1B-24/16/8: Black painting (approximate value: Munsell N3.0) VXL1W-24/16/8: White painting (approximate value: Munsell N9.0)			
Dimensions (W x H x D)	Speaker only	54 x 1212 x 104 mm	54 x 846 x 104 mm	54 x 480 x 104 mm
	With included bracket	54 x 1212 x 111.5 mm	54 x 846 x 111.5 mm	54 x 480 x 111.5 mm
Net weight	Speaker only	5.5 kg	3.9 kg	2.1 kg
Packaging	Packaged in 1 pc			

\*1 : Half-space (2 π)

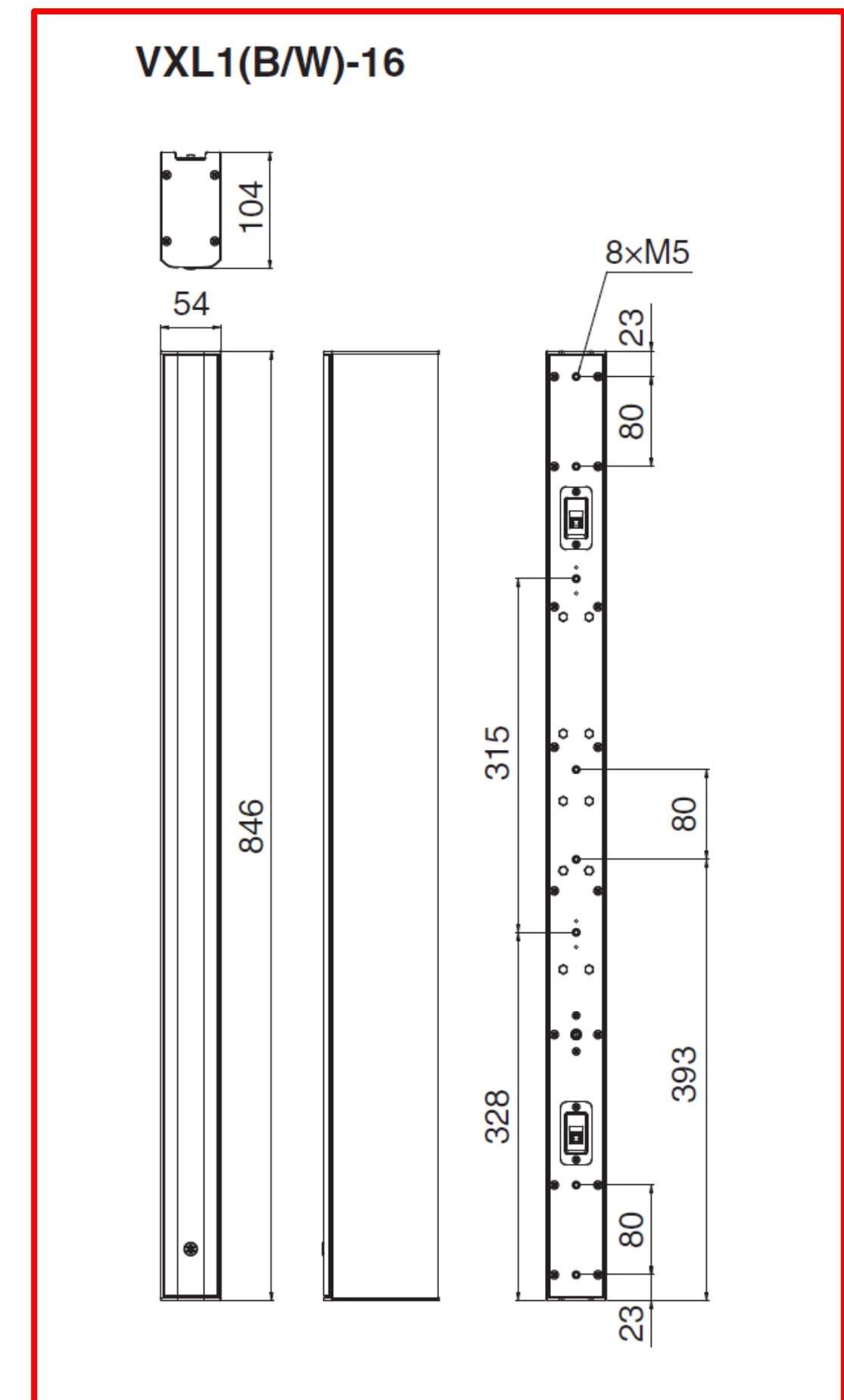
\*2 : Measured at 2 m; value converted to 1 m is shown (frequency range: 100 Hz - 10 kHz)

\*3 : Calculated based on power rating and sensitivity, exclusive of power compression.

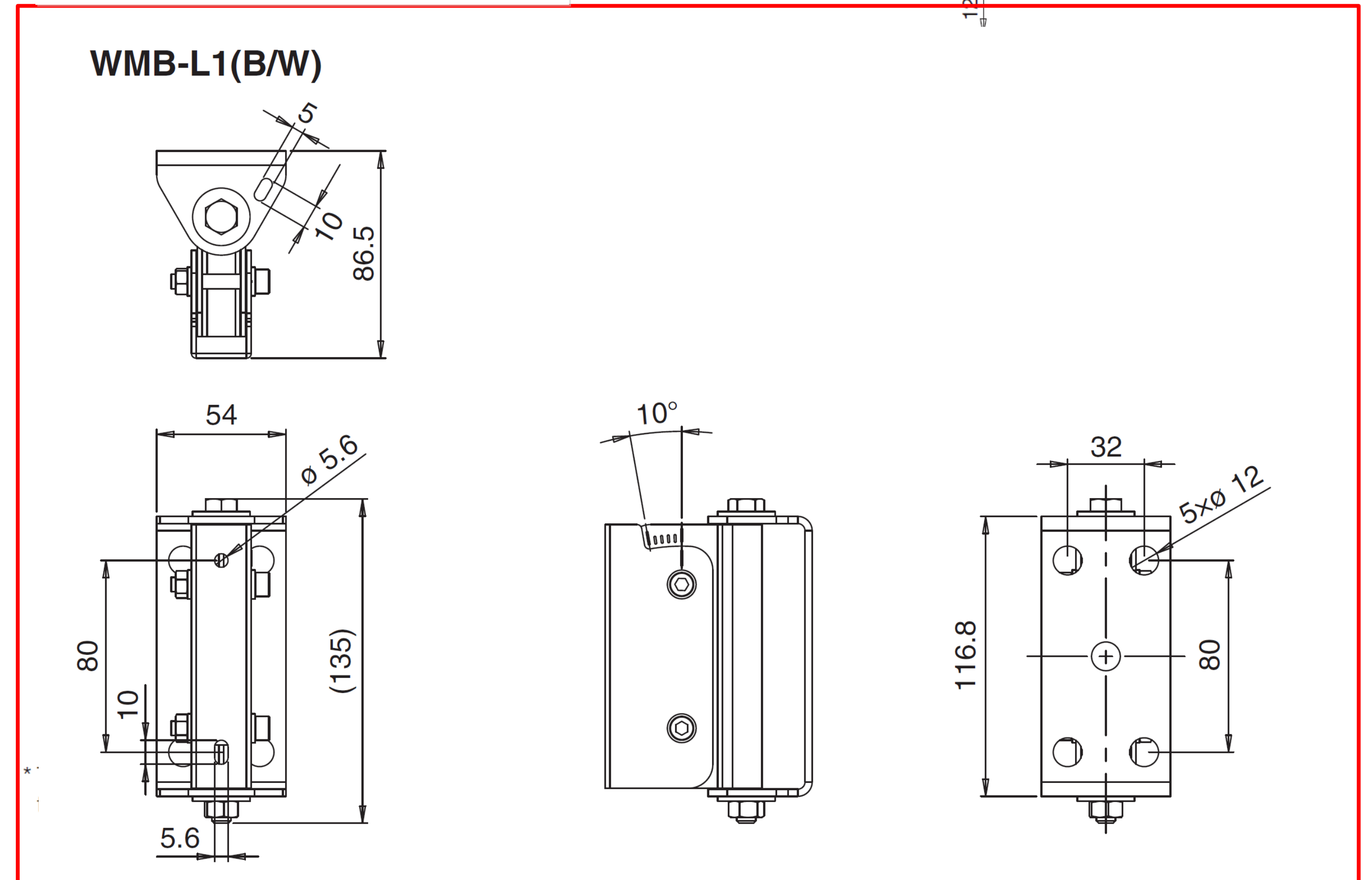
**Dimensions**

**FIXING METHOD**

WMB-L1 WALL BRACKET MOUNTED TO WALL USING STAINLESS STEEL FIXINGS WITHIN THE SEAMS AND JOINTS OF STONE/ BRICK WALLS.



**Mount Bracket**

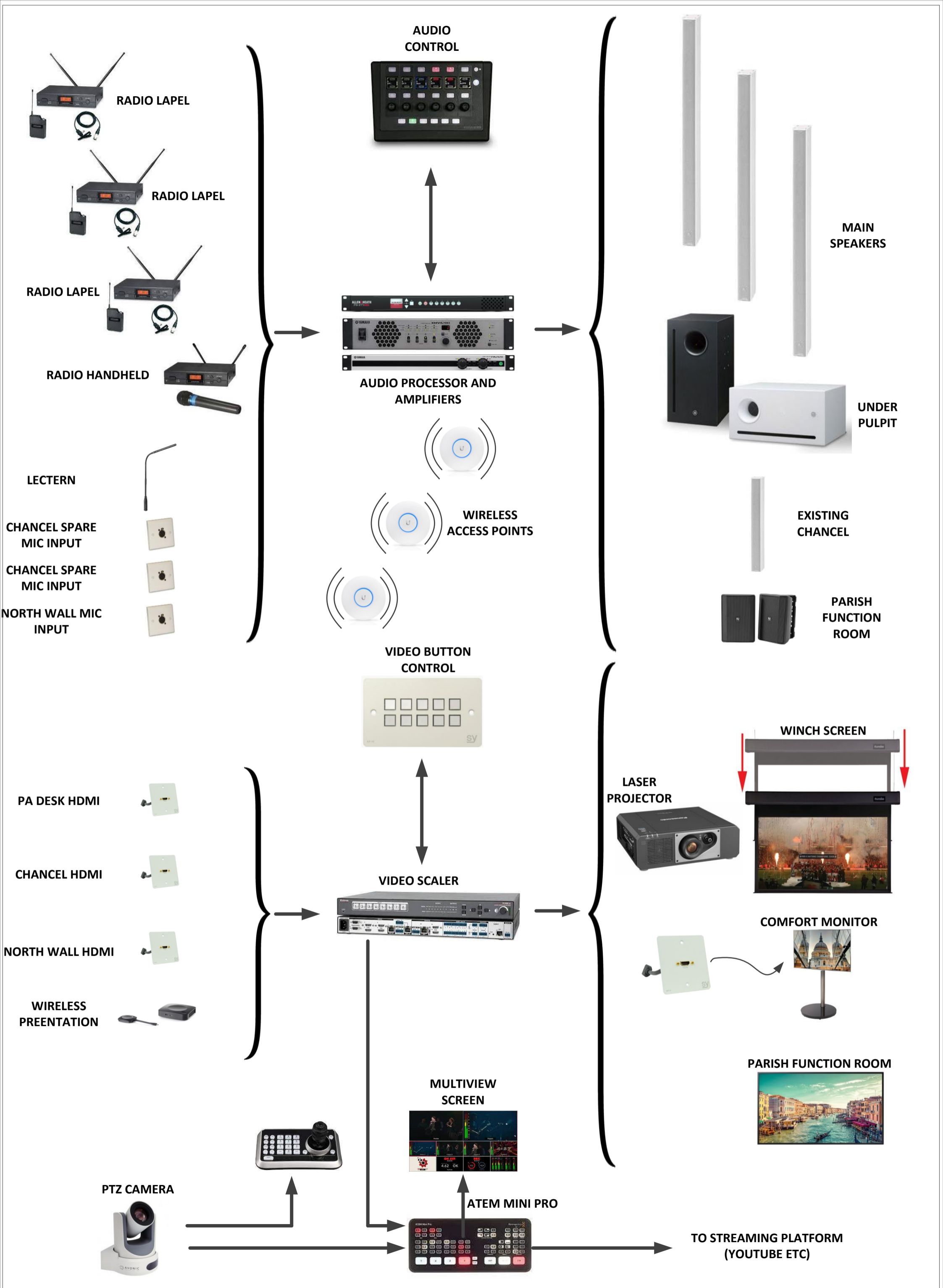




YAMAHA VXL1W16  
COLUMN LOUDSPEAKER

YAMAHA VXL1W16  
COLUMN LOUDSPEAKER

YAMAHA VX510S  
SUBWOOFER  
UNDER PULPIT





**MADE IN BRITAIN**

Dimensions:  
W-1194mm  
D-750mm  
H-1002mm



**MADE IN BRITAIN**



**MADE IN BRITAIN**

# FINISHES 2023

**M** Melamine **V** Veneer



Maple

**M** **V**



Ash

**V**



Beech

**M** **V**



Oak

**M** **V**



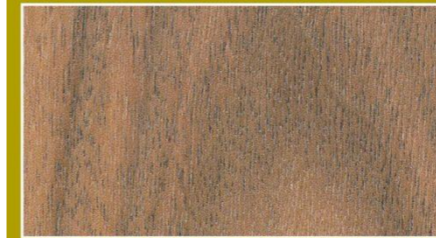
Halifax Oak

**M**



Cherry

**M** **V**



Walnut

**M** **V**



Sapele

**V**



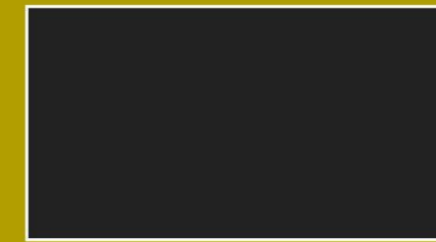
White

**M**



White (textured)

**M**



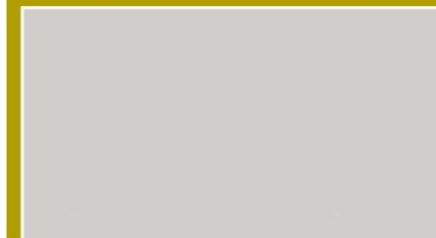
Black

**M**



Black (textured)

**M**



Light Grey

**M**



Grey (textured)

**M**



Dark Grey

**M**